



**Feature-Tec
Advanced Materials**

SAFT Filter

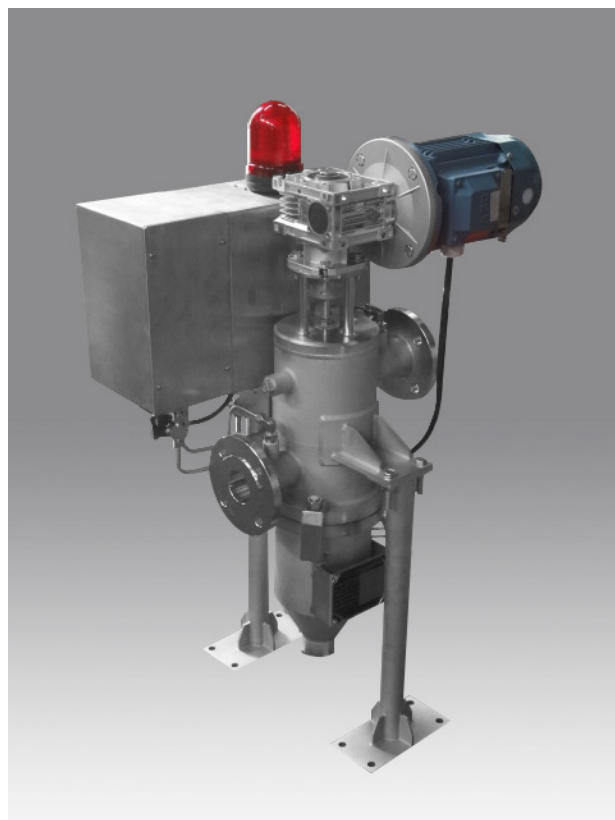
Consists of the following parts:

- Two part filter housing
- Wedge wire element
- Cleaning - scrapper blade
- Motor

The system is ruggedly built and may be used for the most challenging applications. The medium flows from the outside to the inside of the filter element, and the solids are collected on the outside of the wedge wire screen. The scrapper blade then cleans the permanent rotating filter element and the collected solids are forced down into the bottom collection area by the liquid pressure/gravitation. The collected solids are then purged out manually by bottom drain valve.

Clogging of the filter is almost impossible, because of the special construction of the wedge shaped filter element wires.

The removal rating fineness is established by the width between the wedge formed wires. The elements may be changed without any special tools. The wedge wire filter can be supplied for wall or machine attachment or as a stand-alone unit.



Features

- Permanent cleaning without stoppage
- No waste or disposal of filter cartridges
- Minimal product loss during purging
- Suitable for all kinds of liquids
- Filters from 25 μ up to 3 mm available
- Maximum operating temperature up to 200°C
- High differential pressure
- Rugged two part housing
- Outside - inside filtration
- No product contamination
- Purging by ball valve or automatic valve
- Tailored-made execution possible



**Feature-Tec
Advanced Materials**

SAFT Filter

The automatic strainer is logic, efficient and economical way of filtration.

Benefits

- No cartridge use
- Self-cleaning
- No interruption of production process
- Easy to dismount and inspect
- Low operating costs
- Solidly built filter housing
- Limited maintenance, uncomplicated, rugged, reliable design
- Filtration level 25 μ - 3,0 mm
- Continuous cleaning of the filter surface ensures minimum pressure drop
- The use of different construction materials and equipment facilitates application possibilities for the filter in every field of industry.
- Installed upstream of pumps etc. extends the life of such components and prolongs the service life of fine filters.

Options

- explosion proof motor
- special voltage
- high pressure version
- coatings and special materials
- TUV and other certificates

Product Description

SAFT SelfClear™ filter with its motor-driven cleaning device is suitable for the separation of suspensions, as well as the continuous separation of solid particles from liquids, whose viscosities may range from water-thin to pasty. It thus offers a wide range of application possibilities throughout the entire processing industry

The filter housing is constructed in two parts and is easy to open. By loosening the quick clamps or hexagonal bolts, the lower compartment, including the sump can be removed by pulling downwards.

The filter elements can be removed without special tools and are easy to clean, if required. The various design types are made of steel or stainless steel materials, with or without heating jacket.

All the unique features allow enable this versatile filter to be employed for numerous applications.



**Feature-Tec
Advanced Materials**

SAFT Filter

Operation:

The liquid flows from the outside to the inside of the wedge wire screen and leaves the filter housing through the higher placed exit. Between lower placed entrance and the upper exit a seal is placed, limiting any cross contamination between lower (dirt) part and upper (clean) part. Dirt and particles are retained on the outside of the screen and are continuously removed from the filter element with a flexible scraper blade. The dirt is directed to the sump by a laminar flow in the filter and collected in the bottom part of the filter housing. This collection chamber may be purged either manually or automatically through a valve.

An automatic purge system can be set up including an actuator and a time controller or pressure differential initiated valves. The installation of a manual by pass function is advised. Liquid losses are limited. The automatic strainer is available either skid mounted or with support legs.

Applications:

Chemical Industry

Ammonia, Solvents, Softening agents, Glycol's, Adhesives, chemical base materials, Suspensions, Lye's, Waste liquids, etc. washing liquids, distillation and reaction fluids, surfactants. For preliminary and coarse filtering upstream of distillation columns, reactors, flue gas Scrubbers, pumps, fine filters, filling plants, etc.

Paint and Colour Industry

Varnishes, Dispersions, Coatings, Tar products, Agents, etc.

Beverage Industry

Wineries (Must filtration), Breweries, Distilleries, etc.

Cosmetic Industry

Soaps Fats, Essences, Tooth Pastes, etc.

Plastic Industry

Base products, PVC and PU Pastes, Rubber products, Silicones, etc.

Food Industry

Sweets, Dairy products, Fats, Flavours, Concentrates, Treacle's, fatty acids, cooking oils, molasses, fruit concentrates and juices, syrups, chocolate mass, egg mass

Mineral Oil Industry

Oils, Greases, Solvents, Waste Oils, Diesel Oils, lubricating oils, heating oils, heat transfer fluids, reclaimed oils

Car Industry & metal working

Degreasing baths, Cooling liquids, Lubrication liquids, Greases, etc. Cooling water, washing and scrubbing water, process water, water from cutting Processes

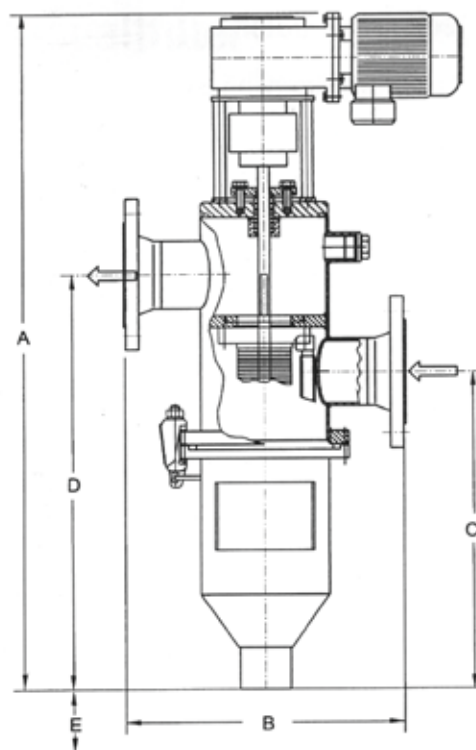


**Feature-Tec
Advanced Materials**

SAFT Filter

Materials:

Filter housing	316 L / 304
Filter element	316 L
Gasket	Viton O-ring
Filter elements	25um- 3 mm
Pressure	10 bar
Max. Temperature	200°C
Motor	230/400V, 50 Hz Other Voltages on request
Class	IP54 / IP 65
Option	EX proof (ATEX 100a)



	SAFT-15	SAFT-25	SAFT-50
Water/100u filter element	0-15m ³ /h	15-40m ³ /h	40-80m ³ /h
Inlet	R1"	DN50	DN65
Outlet	R1"	DN50	DN65
Purge	R3/4"	R2"/DN50	R2"/DN50
Vent	R1/8"	R3/4"	R3/4"
Housing closing(<6bar)	quick clamp	quick clamp	quick clamp
Closure(6bar-10bar)	quick clamp	quick clamp	quick clamp
Built in height A	980	1150	1450
Flange size in mm B	396	439	640
Flange height in mm C	395	572	760
Flange height in mm D	530	712	960
Built out height in mm E	200	300	400
Volume in ltr.	10	23	63
Power Watt	370	370	370
Weight kg	65	85	207



Feature-Tec (Shanghai) Advanced Materials Co.,Ltd.
8th Floor, Building 3A, No. 299 Longcao Road,
Xuhui District, Shanghai
Tel:+86 (21) 3363 2515 Fax:+86 (21) 6385 0337